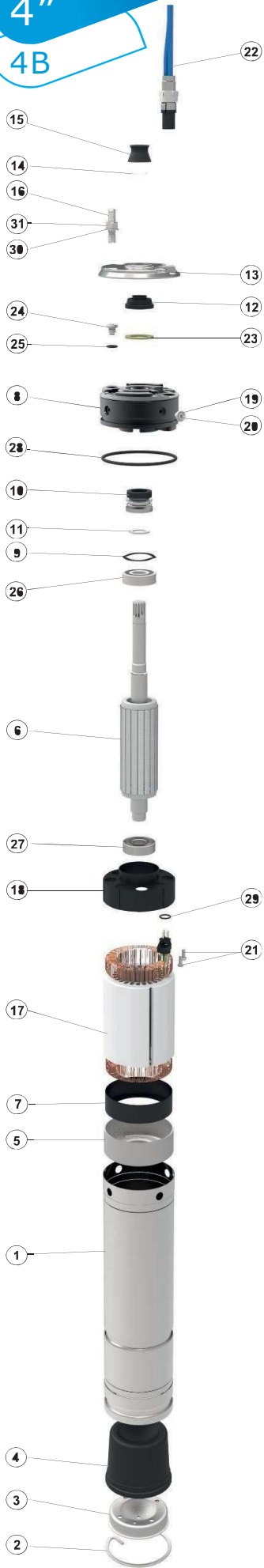


4"
4B



Spaccato - Materiali

Cutaway - Materials / Coupe - Matériaux / Secciones - Materiales

Pos.	Qt.	Componenti	Components	Composants	Componentes	Materials
1	1	Camicia esterna	External sleeve	Chemise externe	Camisa exterior	AISI304L / Wr 14307
2	1	Anello elastico	Seeger ring	Bague seeger	Anillo seeger	AISI304 / Wr 14301
3	1	Fondello	Base	Base	Fondo	AISI304 / Wr 14301
4	1	Membrana	Membrane	Membrane	Membrana	NBR
5	1	Supporto inferiore	Lower support	Support inférieur	Soporte inferior	Cast Iron G25
6	1	Rotore	Rotor	Rotor		AISI 304 / Wr 14301 - Duplex / Wr 14462
7	1	Coperchio Inferiore	Lower cover	Couvercle inférieur	Tapa inferior	PA 66
8	1	Supporto superiore	Upper support	Support supérieur	Soporte superior	Cast Iron G25
9	1	Anello molla	Spring ring	Anneau à ressort	Anillo de resorte	C70 Steel
10	1	Tenuta meccanica	Mechanical seal	Garniture mécanique	Cierre mecánico	Resin - impregnated Carbo graphite
11	1	Rondella	Washer	Rondelle	Arandela	AISI304 / Wr 14301
12	1	Parasabbia fisso	Fixed sand guard	Para-sable fixe	Desarenador fijo	PA 66
13	1	Coperchio superiore	Upper cover	Couvercle supérieur	Tapa superior	AISI304 / Wr 14301
14	1	Anello	Ring	Bague	Anillo	AISI304 / Wr 14301
15	1	Parasabbia rotante	Rotating sand guard	Para-sable rotatif	Desarenador giratorio	NBR 90
16	4	Prigioniero	Stud bolt	Boulon prisonnier	Prisionero	AISI304 / Wr 14301
17	1	Statore	Stator	Stator	Estator	AISI304 / Wr 14301
18	1	Coperchio superiore	Upper cover	Couvercle supérieur	Tapa superior	PA 66
19	4	Inserito blocco camicia	Sleeve block insert	Insert bloc chemise	Inserción de bloque de camisa	AISI304 / Wr 14301
20	4	Vite	Screw	Vis	Tornillo	AISI304 / Wr 14301
21	2	Vite	Screw	Vis	Tornillo	Zinc - plated Steel
22	1	Connettore 4OM	4OM connector	Connecteur 4OM	Conector 4OM	EPDM + AISI304 + Resin
23	1	Filtro anti sabbia	Sand filter	Filtre à sable	Filtro anti arena	Felt
24	1	Tappo olio	Oil plug	Bouchon oil	Tapón aceite	AISI304 / Wr 14301
25	1	Anello tenuta OR	OR ring	Bague OR	Junta tórica OR	NBR 90
26	1	Cuscinetto 6203 C3	Bearing 6203 C3	Roulement 6203 C3	Rodamiento 6203 C3	Steel
27	1	Cuscinetto 7203 BEP	Bearing 7203 BEP	Roulement 7203 BEP	Rodamiento 7203 BEP	Steel
28	1	Anello tenuta OR	OR ring	Bague OR	Junta tórica OR	NBR 90
29	1	Anello tenuta OR	OR ring	Bague OR	Junta tórica OR	NBR 90
30	4	Rondella	Washer	Rondelle	Arandela	AISI304 / Wr 14301
31	4	Dado	Nut	Écrou	Tuerca	AISI304 / Wr 14301

